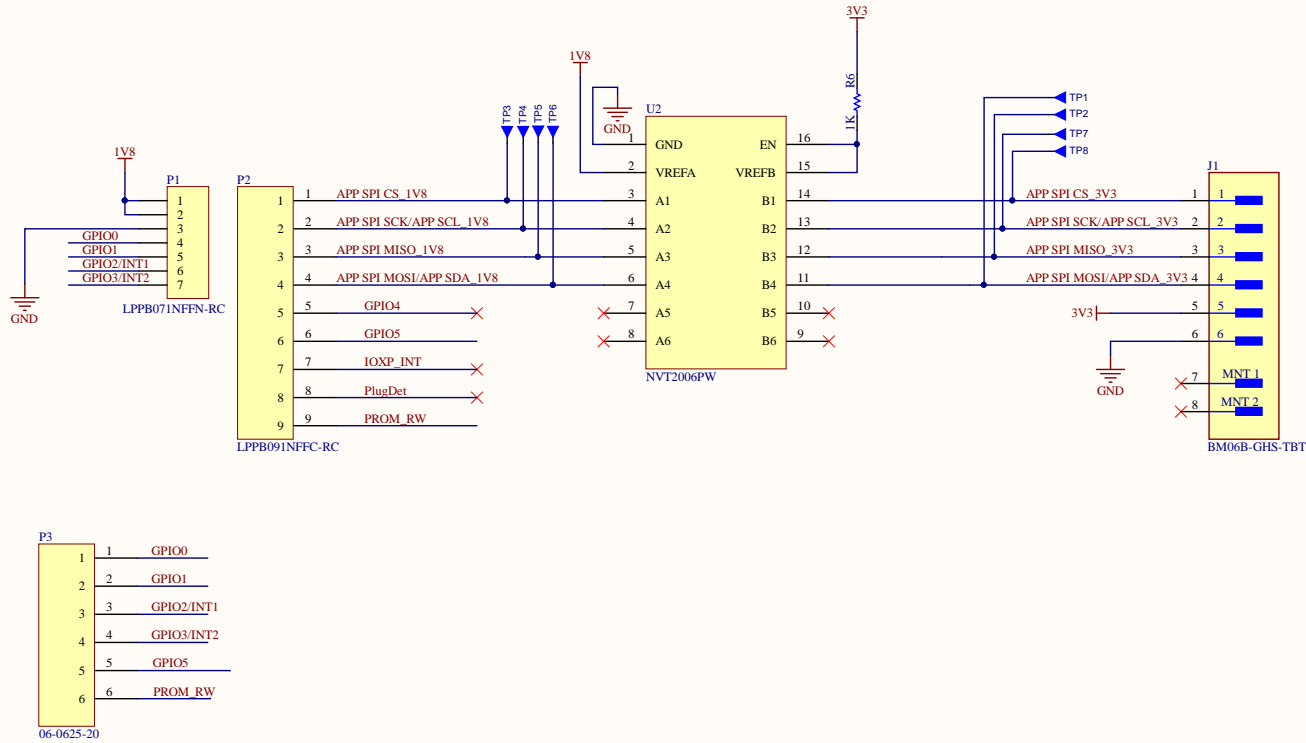
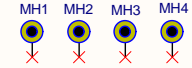
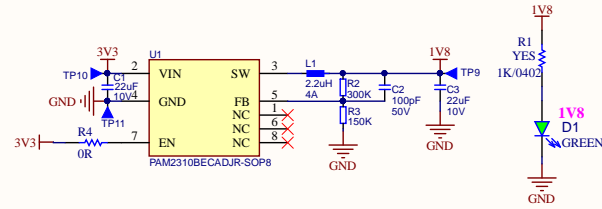


### 3V3 TO 1V8



Title <b>IMU Board</b>			Svaya Robotics SL.NO.785/2		
Size: A3	Number: 01	Revision: R0	Ravaikole X Roads Kistapur Village Medchal (Dist.) HYD.		
Date: 26-04-2023	Time: 15:07:43	Sheet 1 of 1			
File: F:\New folder\IMU Carrier Board Rev2\Projects\IMU Carrier Board Rev2.SchDoc					