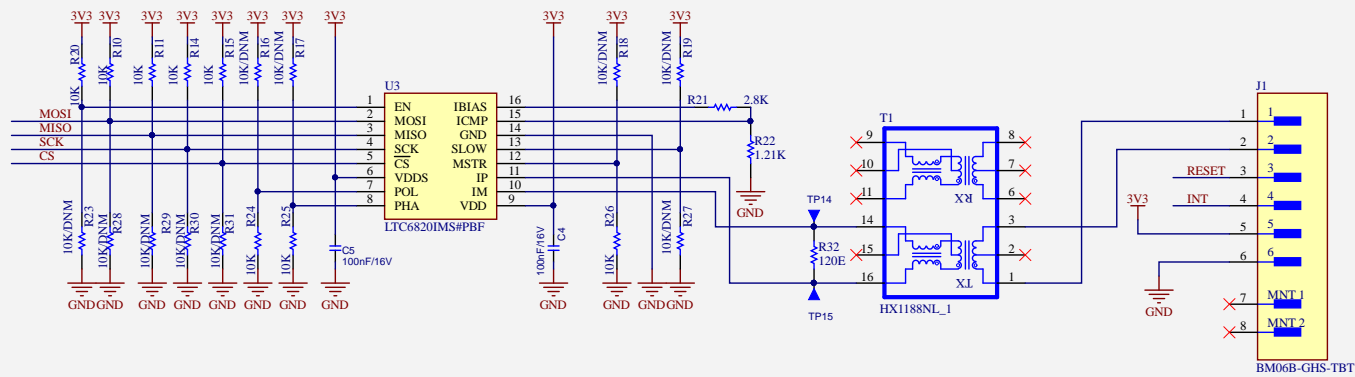
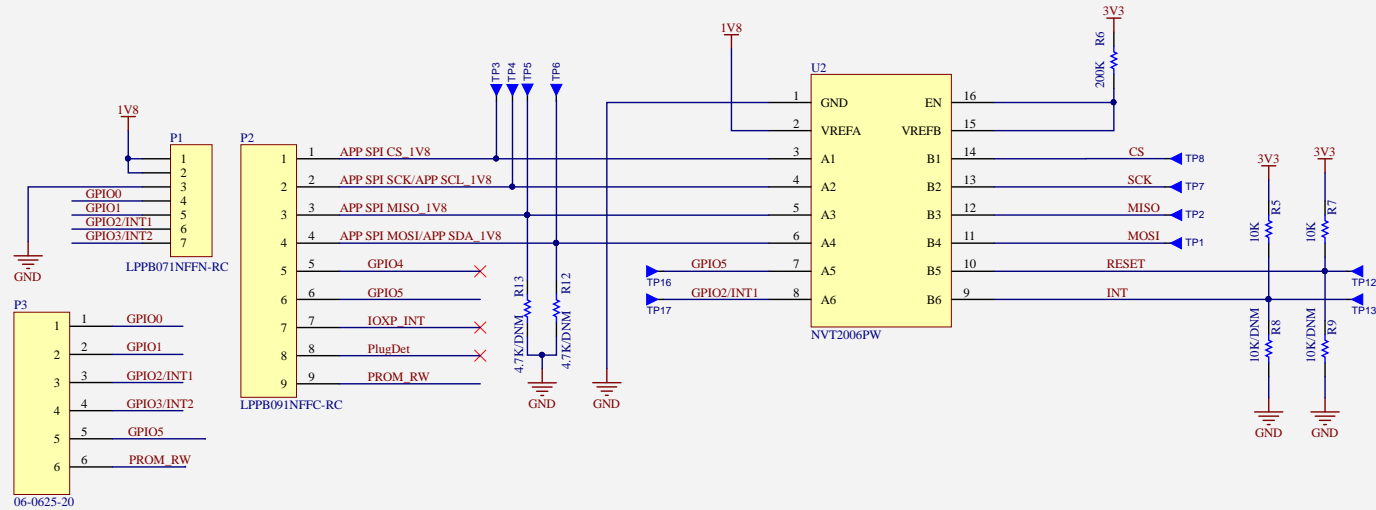
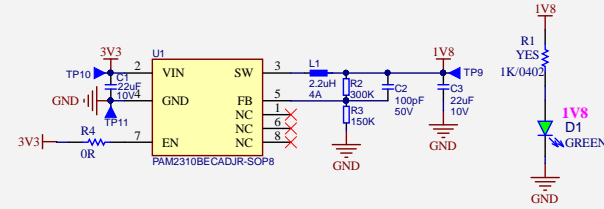
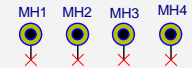


### 3V3 TO 1V8



Title <b>IMU Board</b>			Svaya Robotics	
Size: A3	Number: 01	Revision: R4.0	SL.NO.785/2	
Date: 15-09-2023	Time: 11:15:02	Sheet 1 of 1	Ravaikole X Roads Kistapur Village	
File: IMU Carrier Board Rev4.0_MODIFIED.SchDoc			Medchal (Dist.), HYD.	

Comment	Description	Designator	Footprint	LibRef	Quantity
---------	-------------	------------	-----------	--------	----------