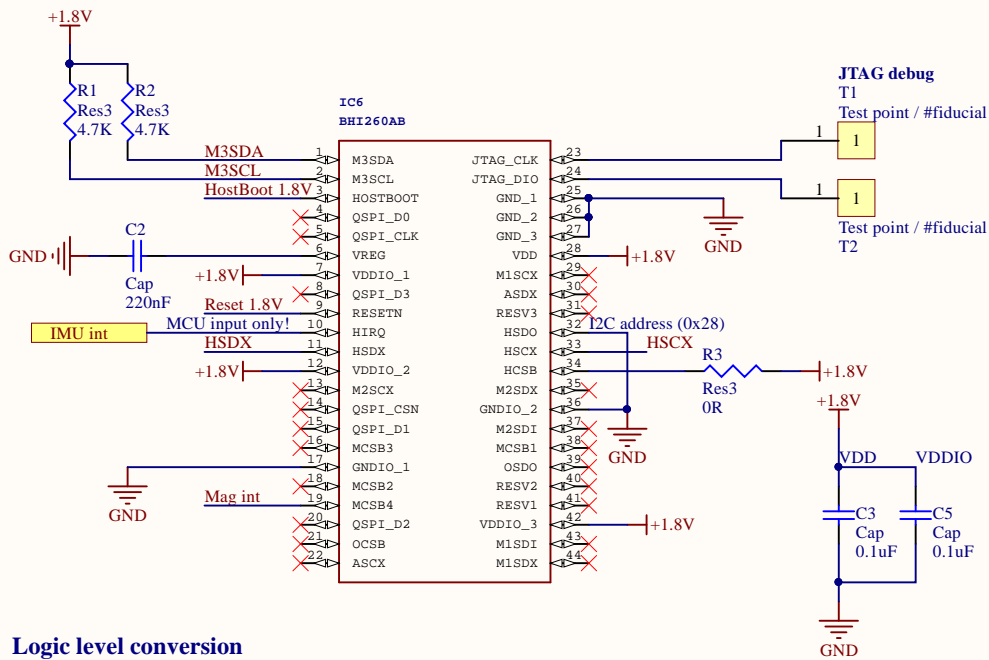
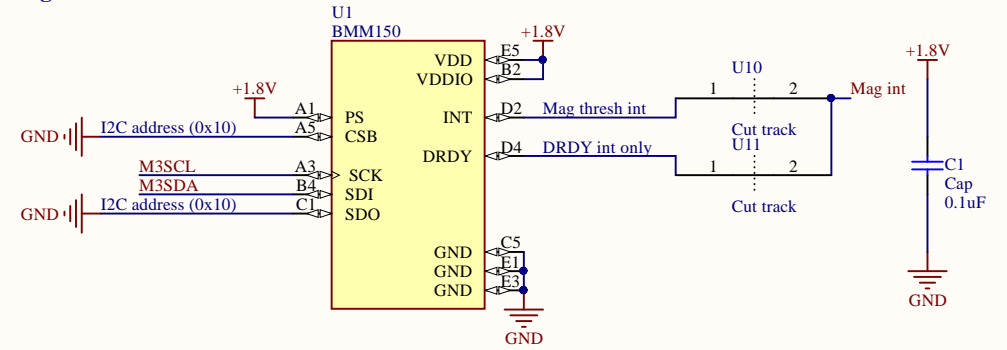


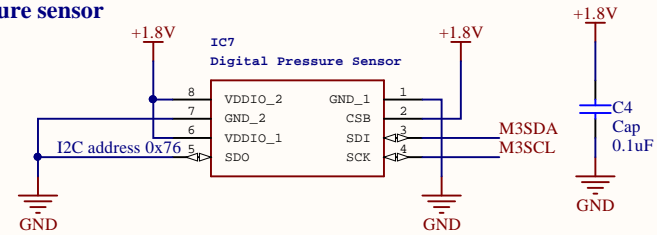
Programmable smart sensor acc and gyr



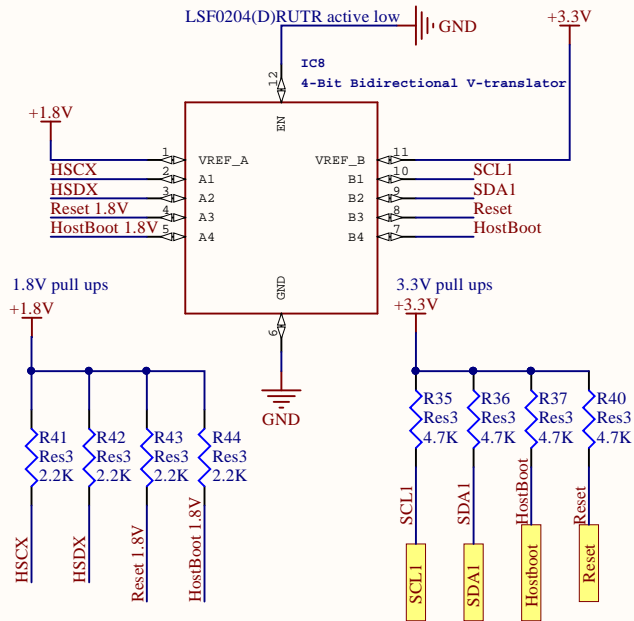
Magnetometer



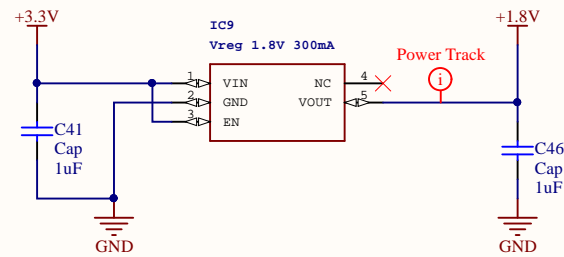
Pressure sensor



Logic level conversion



Power



Title * MOOD V2: BHI260AB + BMM150 + BMP280		
Size: A4	Number: 5	Revision: *
Date: 28/10/2020	Time: 09:53:50	Sheet 5 of 14
File: C:\Users\james\OneDrive - Emteq\Circuit designs\Oco MOOD V2.2\Oco MOOD V2.2 devboard\IMU.SchDoc		

* Drawn by: James
* Checked by: Mohsen



Boards