

# BMI160 shuttle 9-axis sensor orientation

Bosch Sensortec



**BOSCH**

Invented for life

**Table of contents**

- 1 INTRODUCTION ..... 3**
- 2 BMI160 SHUTTLE BOARD..... 4**
- 3 AXIS REMAPPING..... 5**
- 4 ANDROID DEFINITION FOR EULER ANGLES..... 6**
- 5 LEGAL DISCLAIMER ..... 7**
  - 5.1 ENGINEERING SAMPLES ..... 7
  - 5.2 PRODUCT USE..... 7
  - 5.3 APPLICATION EXAMPLES AND HINTS..... 7
- 6 DOCUMENT HISTORY AND MODIFICATION..... 8**

## 1 Introduction

BMI160 is a highly integrated low power MEMS inertial measurement unit (IMU) that includes a 16-bit 3-axis accelerometer and a 16-bit 3-axis gyroscope. BMI160 is in mass production. Its datasheet is available online at [http://www.bosch-sensortec.com/en/homepage/products\\_3/6\\_axis\\_sensors\\_2/inertial\\_measurement\\_unit\\_1/bmi160/bmi160\\_1](http://www.bosch-sensortec.com/en/homepage/products_3/6_axis_sensors_2/inertial_measurement_unit_1/bmi160/bmi160_1) after clicking the “Documents & drivers” tab.

The dimension of BMI160 is 2.5mm x 3.0mm x 0.83mm in LGA-14 package. There are 4 pins on each of 2.5mm sides and 3 pins on each of 3.0mm sides.

This document illustrates BMI160 shuttle board reference coordinate and 9-axis sensor orientation with pin-1 location. This information can be used for axis remapping when testing BSX sensor fusion library.

## 2 BMI160 shuttle board

The BMI160 shuttle board and its reference coordinate is as shown in Figure 1.

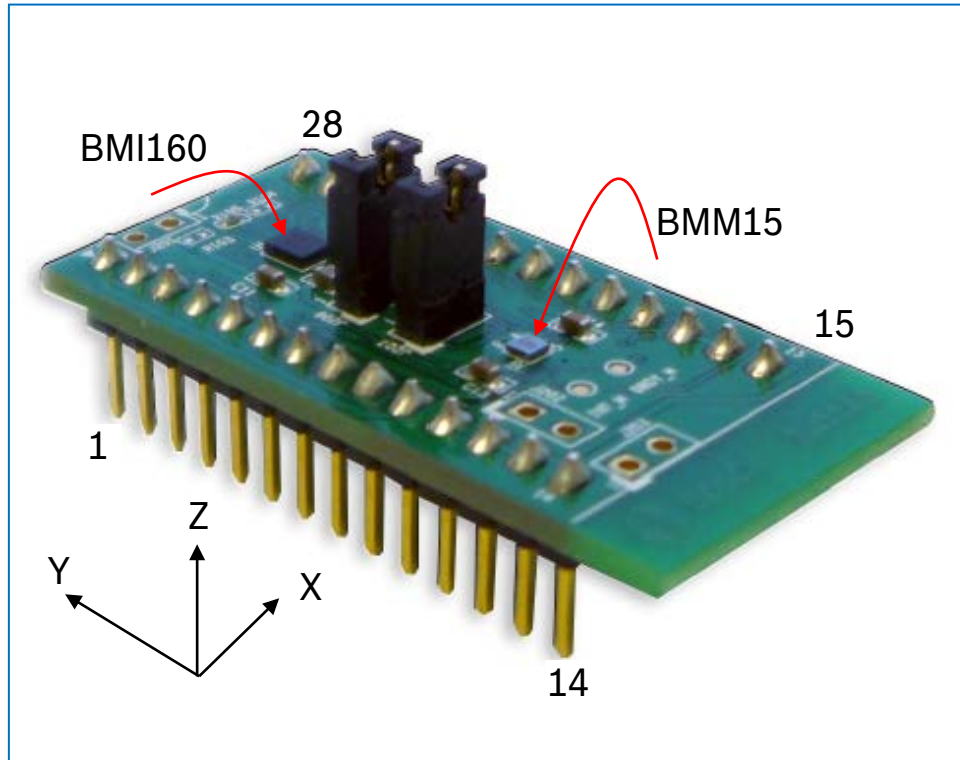


Figure 1 BMI160 shuttle board orientation

The 9-axis sensor orientation should be aligned to this shuttle board reference coordinate so that the BSX sensor fusion library will output correct Euler angles according to Android definition.

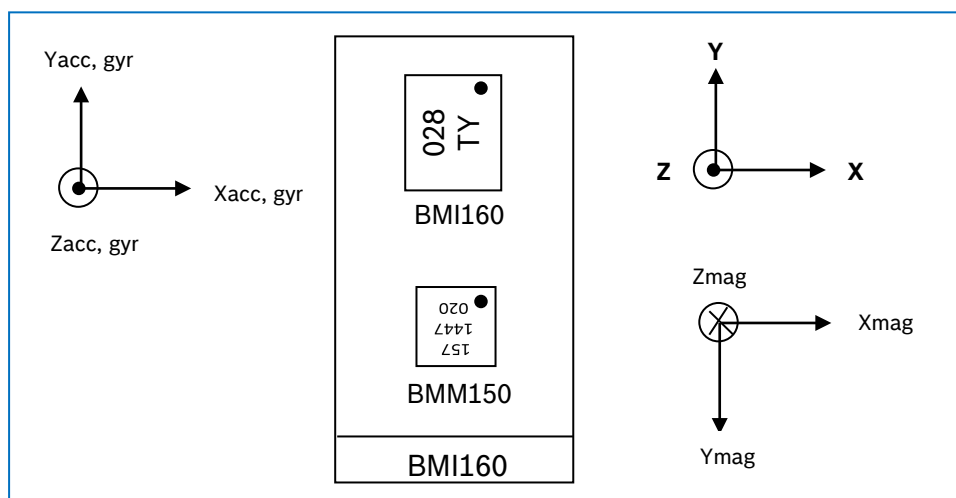


Figure 2 9-axis sensor orientation

### 3 Axis remapping

According to Figure 2, the orientation of the BMI160 accelerometer and gyroscope axes is aligned to the BMI160 shuttle board reference coordinate. Therefore, there is no need to do axis remapping on BMI160.

For BMI160 ACC part,

```
Xacc = BMI160_ACC_X;  
Yacc = BMI160_ACC_Y;  
Zacc = BMI160_ACC_Z;
```

Where, BMI160\_ACC\_X, Y, Z are the raw data in the unit of m/s<sup>2</sup> from the BMI160 accelerometer part and Xacc/Yacc/Zacc are the axis remapped data to feed the BSX library.

For BMI160 GYR part,

```
Xgyr = BMI160_GYR_X;  
Ygyr = BMI160_GYR_Y;  
Zgyr = BMI160_GYR_Z;
```

Where, BMI160\_GYR\_X, Y, Z are the raw data in the unit of radians from the BMI160 gyroscope part and Xgyr/Ygyr/Zgyr are the axis remapped data to feed the BSX library.

However, the orientation of BMM150 axes is not aligned to the BMI160 shuttle board reference coordinate. Users can do the axis remapping as below.

```
Xmag = BMM150_X;  
Ymag = -BMM150_Y;  
Zmag = -BMM150_Z;
```

Where, BMM150\_X, Y, Z are the raw data in the unit of uT from BMM150 and Xmag/Ymag/Zmag are the axis remapped data to feed the BSX library.

#### 4 Android definition for Euler angles

Bosch Sensortec BSX sensor fusion uses Android definition for Euler angles by default. The Android rotation vector definition can be found at [http://developer.android.com/guide/topics/sensors/sensors\\_motion.html](http://developer.android.com/guide/topics/sensors/sensors_motion.html) with X axis pointing to East, Y axis to earth magnetic North and Z axis to the sky as shown in Figure 3.

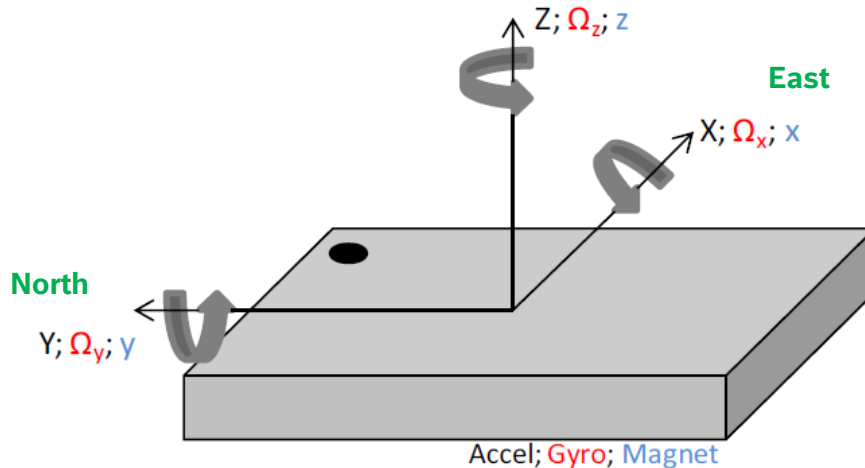


Figure 3 BSX Android definition for Euler angles

- **Heading:** rotation around Z axis [ $0^\circ \leq \text{heading} < 360^\circ$ ].  $0^\circ$  = North,  $90^\circ$  = East,  $180^\circ$  = South,  $270^\circ$  = West. The heading value increases when rotate around Z axis clockwise from top view of Figure 3.
- **Pitch:** rotation around X axis [ $-180^\circ \leq \text{pitch} \leq 180^\circ$ ] with positive values increasing when Z axis moves toward Y axis.
- **Roll:** rotation around Y axis [ $-90^\circ \leq \text{roll} \leq 90^\circ$ ] with positive values increasing when X axis moves toward Z axis.

## 5 Legal disclaimer

### 5.1 Engineering samples

Engineering Samples are marked with an asterisk (\*) or (e) or (E). Samples may vary from the valid technical specifications of the product series contained in this data sheet. They are therefore not intended or fit for resale to third parties or for use in end products. Their sole purpose is internal client testing. The testing of an engineering sample may in no way replace the testing of a product series. Bosch Sensortec assumes no liability for the use of engineering samples. The Purchaser shall indemnify Bosch Sensortec from all claims arising from the use of engineering samples.

### 5.2 Product use

Bosch Sensortec products are developed for the consumer goods industry. They may only be used within the parameters of this product data sheet. They are not fit for use in life-sustaining or security sensitive systems. Security sensitive systems are those for which a malfunction is expected to lead to bodily harm or significant property damage. In addition, they are not fit for use in products which interact with motor vehicle systems.

The resale and/or use of products are at the purchaser's own risk and his own responsibility. The examination of fitness for the intended use is the sole responsibility of the Purchaser.

The purchaser shall indemnify Bosch Sensortec from all third party claims arising from any product use not covered by the parameters of this product data sheet or not approved by Bosch Sensortec and reimburse Bosch Sensortec for all costs in connection with such claims.

The purchaser must monitor the market for the purchased products, particularly with regard to product safety, and inform Bosch Sensortec without delay of all security relevant incidents.

### 5.3 Application examples and hints

With respect to any examples or hints given herein, any typical values stated herein and/or any information regarding the application of the device, Bosch Sensortec hereby disclaims any and all warranties and liabilities of any kind, including without limitation warranties of non-infringement of intellectual property rights or copyrights of any third party. The information given in this document shall in no event be regarded as a guarantee of conditions or characteristics. They are provided for illustrative purposes only and no evaluation regarding infringement of intellectual property rights or copyrights or regarding functionality, performance or error has been made.

## 6 Document history and modification

Rev. No	Chapter	Description of modification/changes	Date
1.0		Document creation	October 29 <sup>th</sup> , 2015
1.1	Section 2	BMM150 chip laser marking text orientation is rotated 90 degrees counterclockwise from the original drawing	March 1 <sup>st</sup> , 2016

Bosch Sensortec GmbH  
 Gerhard-Kindler-Strasse 8  
 72770 Reutlingen / Germany

Contact@bosch-sensortec.com  
 www.bosch-sensortec.com

Modifications reserved | Printed in Germany  
 Specifications subject to change without notice